



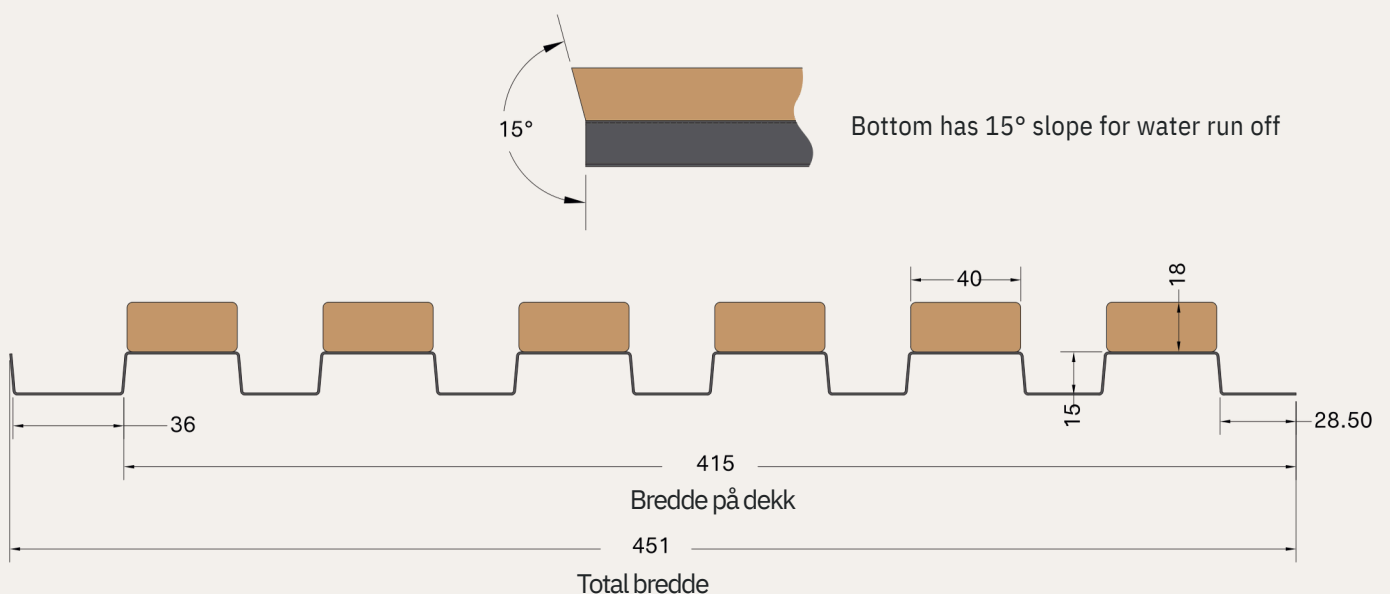
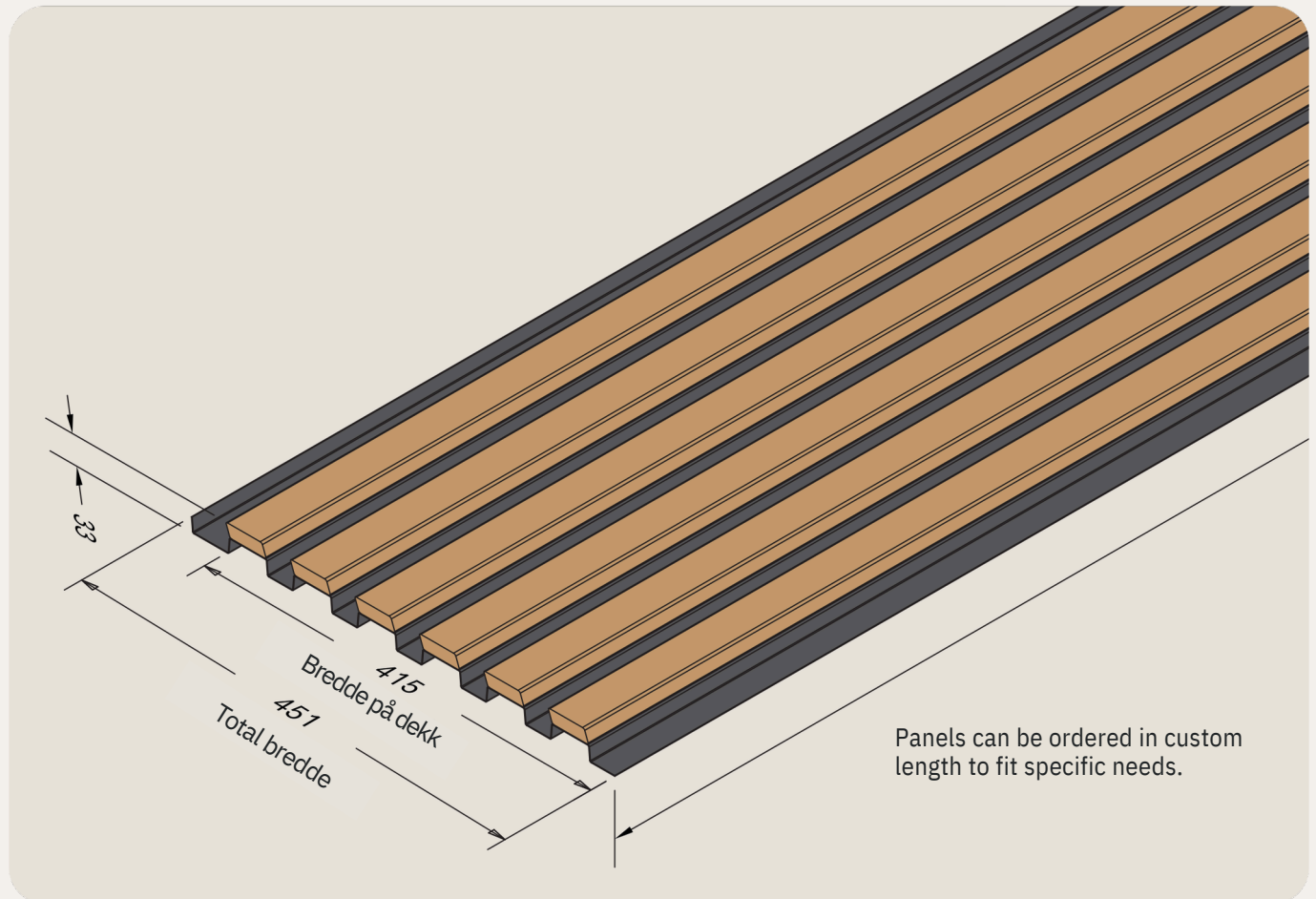
Aluwood

Installation guide

WOOD  UPP

Aluwood panels

Aluwood outdoor panels are powder coated, durable exterior cladding panels designed for outdoor use. They combine thermally modified solid wood with the strength and weather resistance of aluminium, making them suitable for facades, fences, and decorative exterior walls.



Content

1 Products

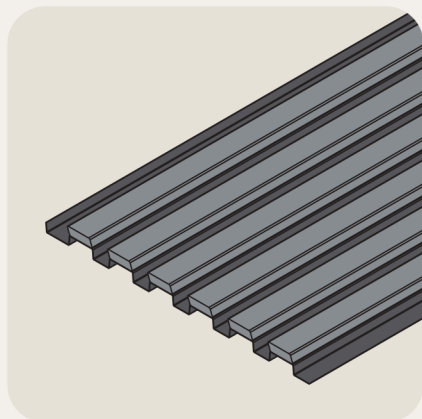
2 Recommended Tools & Materials

3 Recommended Safety Information

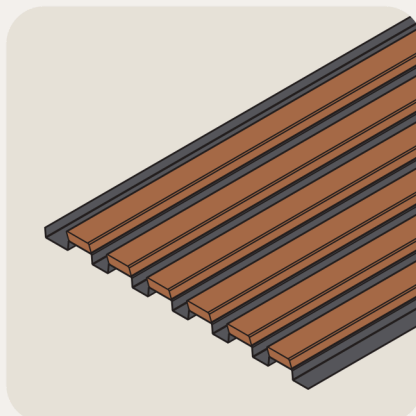
4 Recommended Installation

Products

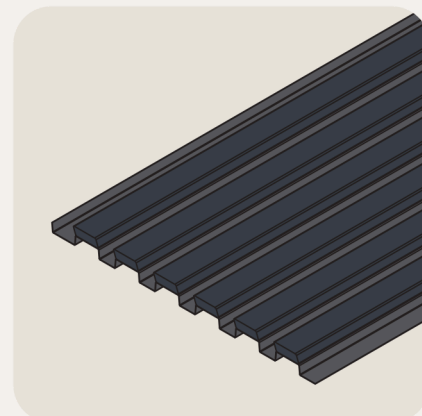
All products are standard 2400 mm long



Aluwood - Grey



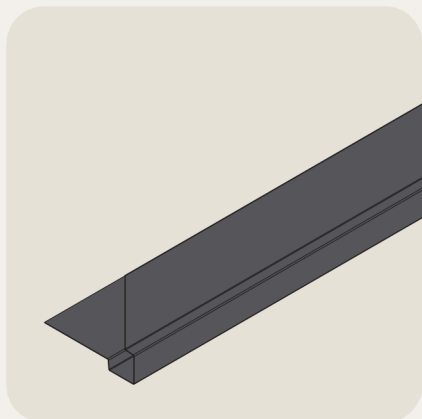
Aluwood - Oiled Brown



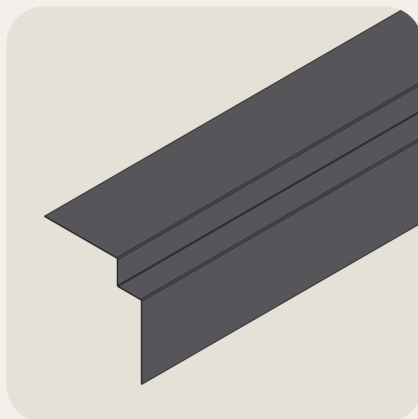
Aluwood - Black

Coverage

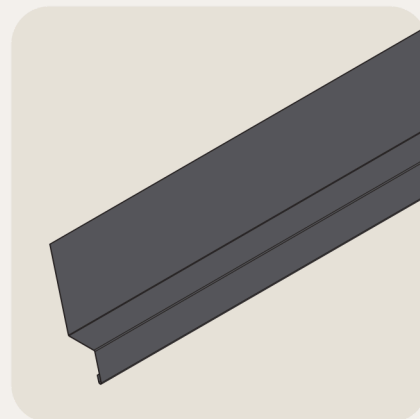
All products are standard 2400 mm long



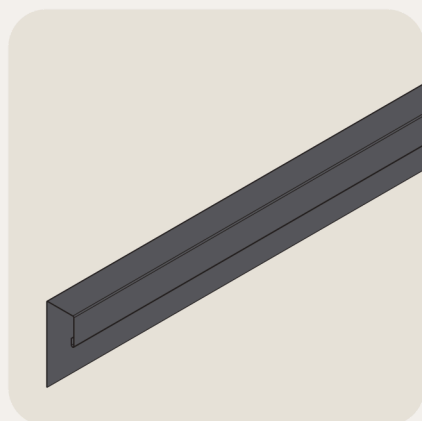
Outside corner p. 14



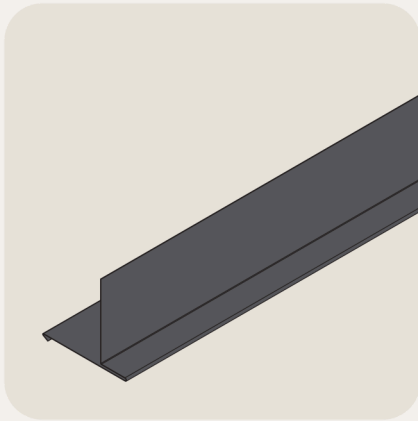
Inside corner p. 15



Bottom / divider - p. 16-17



Top profile p. 21



Coverage - p. 23 / 24

Mounting materials



Aluwood back screws

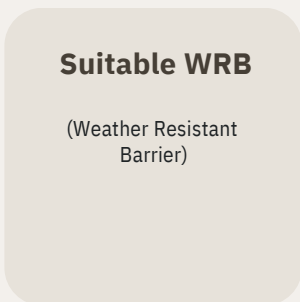


Aluwood front screws
(mounting on wood)



Aluwood front screws
(mounting on steel / aluminium)

Recommended fitting



Suitable WRB
(Weather Resistant
Barrier)



**Battens/Furring
Strips**

Recommended tools & materials



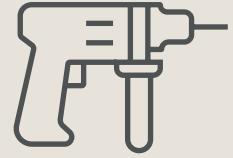
Folding rule



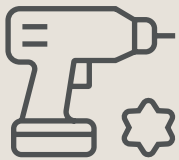
Pencil/marker



Level



Power drill



T20 Torx Bit Driver



Circular saw



Utility knife



Metal snips

Recommended safety information



Wear protective gloves and safety glasses during installation



Use proper lifting techniques when handling panels



Follow all local building codes and regulations

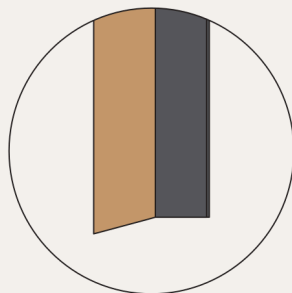
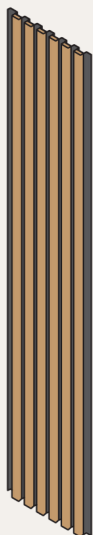
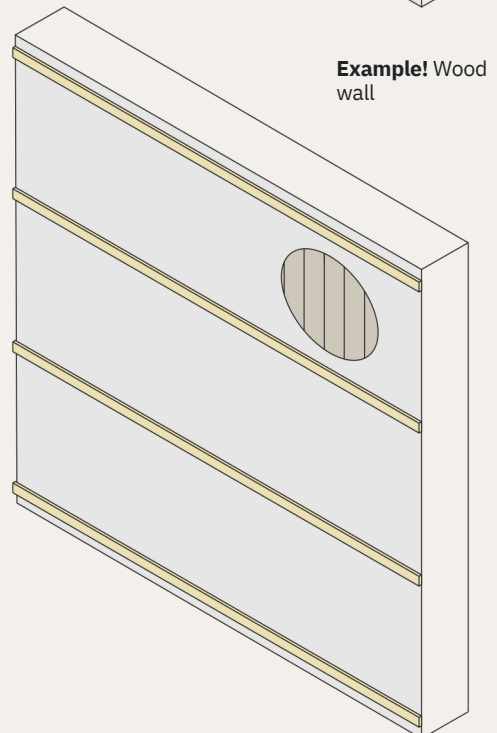
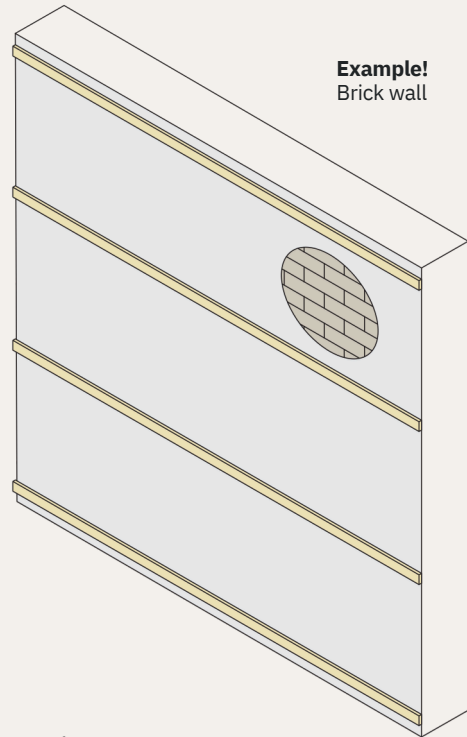
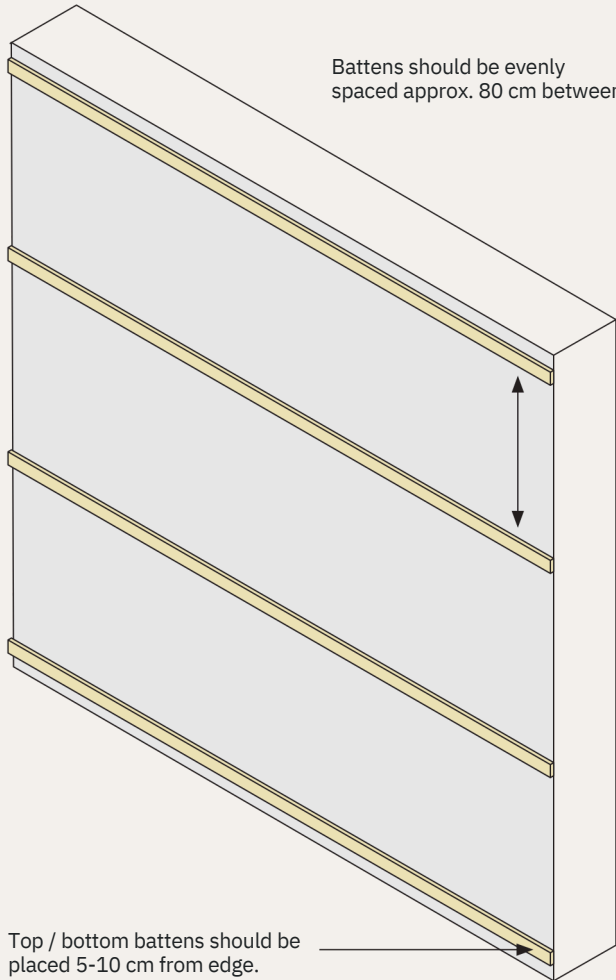


Do not install panels in extreme weather conditions (heavy rain, strong wind)

Recommended installation

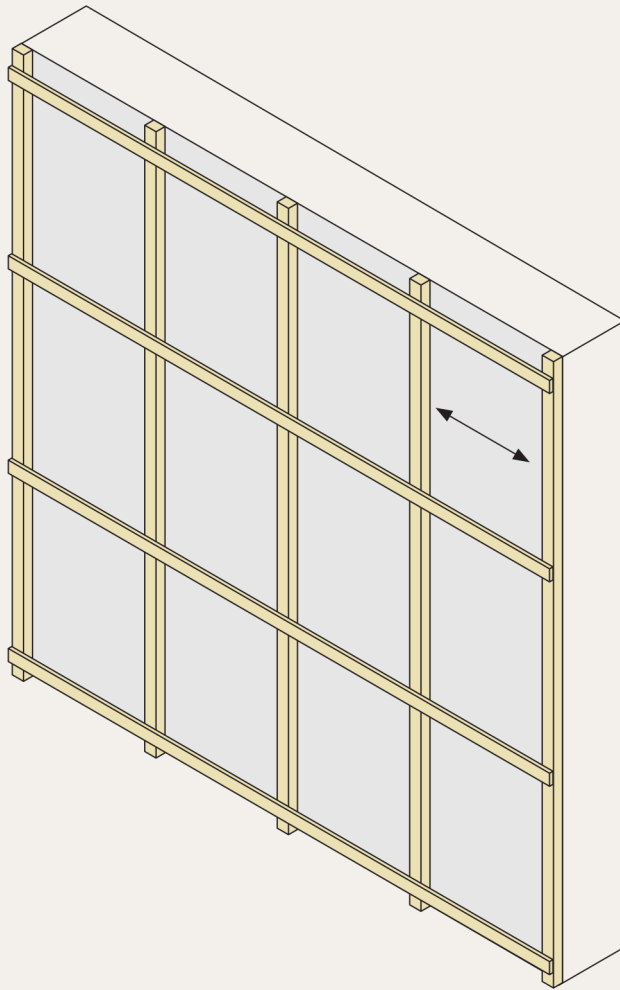
Step 1:

Install battens/furring strips horizontally



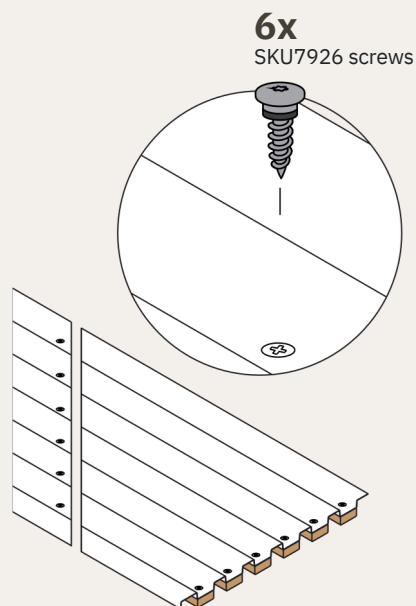
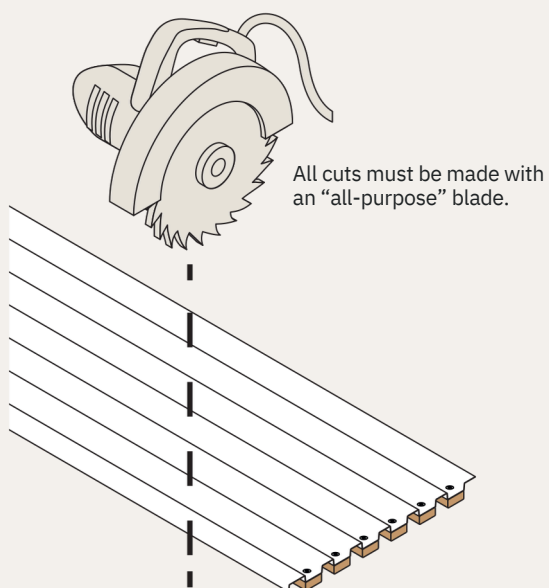
Note the bottom edge of the panel has a 15 degree slope for run off.

Install battens/furring strips vertically (optional)



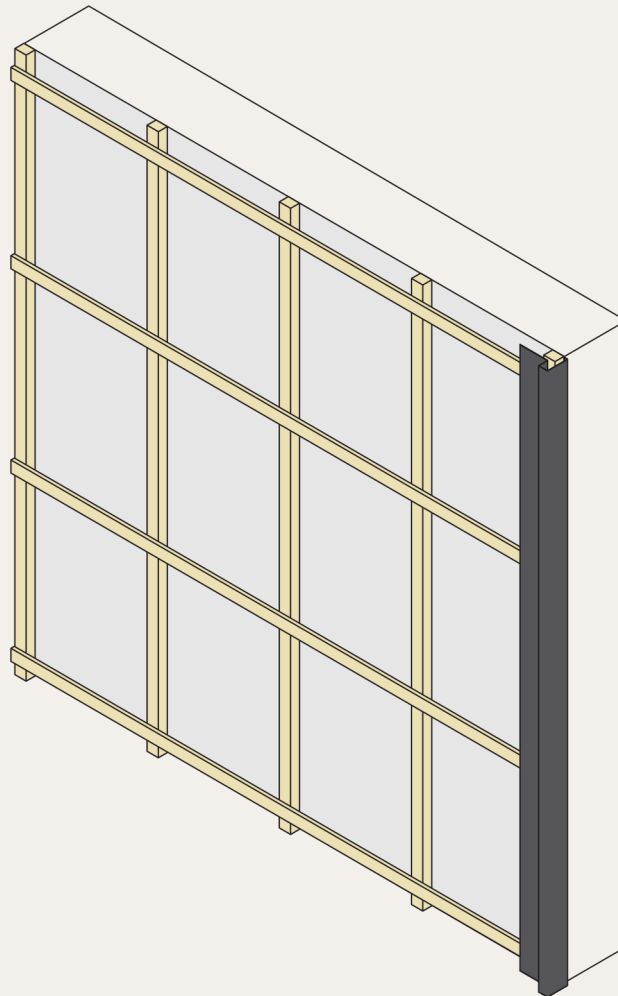
Battens should be evenly spaced approx. 80 cm between.

Make cuts if necessary for proper panel and or trim fitment



Step 2: Placing the start trims and first panels

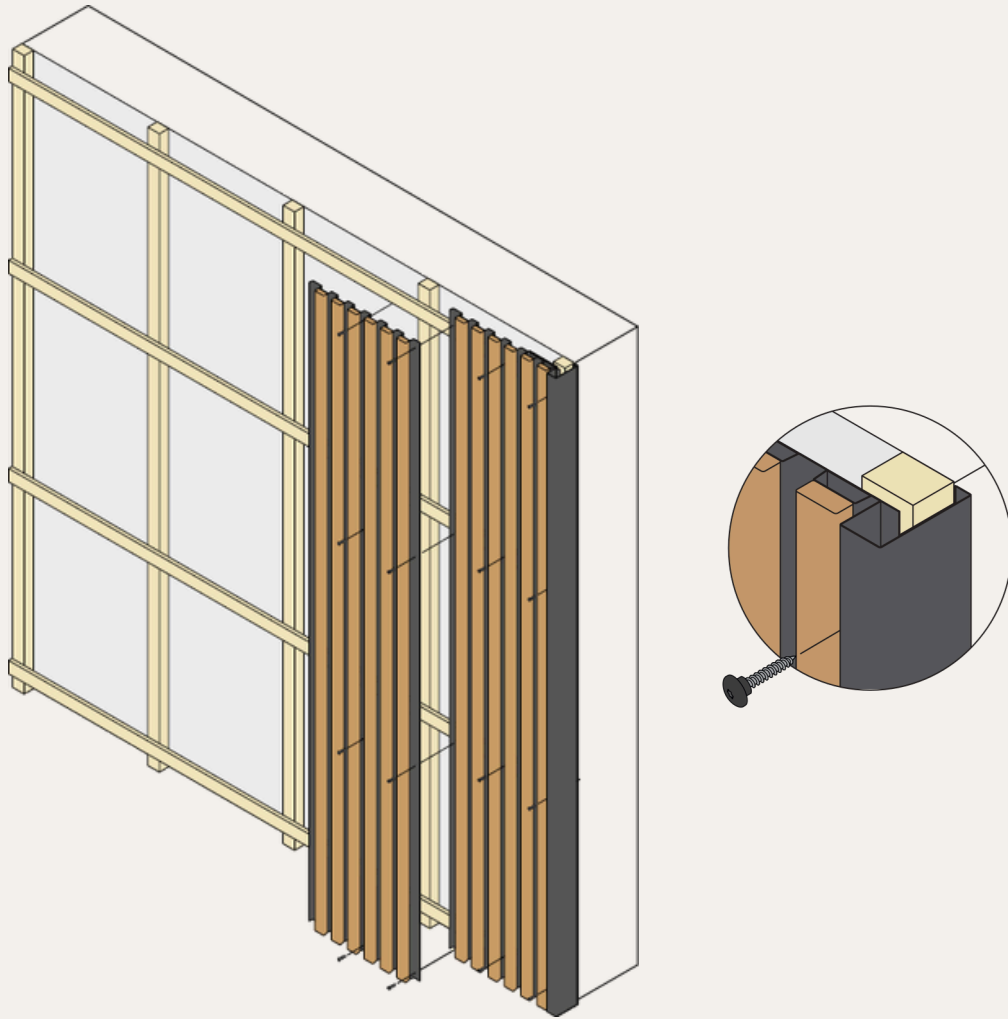
- Install any needed “starter” trim along bottom and side edge so that panels will be on top of the trim to aid in keeping moisture out.



Example!

- Start with side trim and suggested direction is from right to left, either is possible. (left side with tongue, right side without tongue, one goes on top of the other).

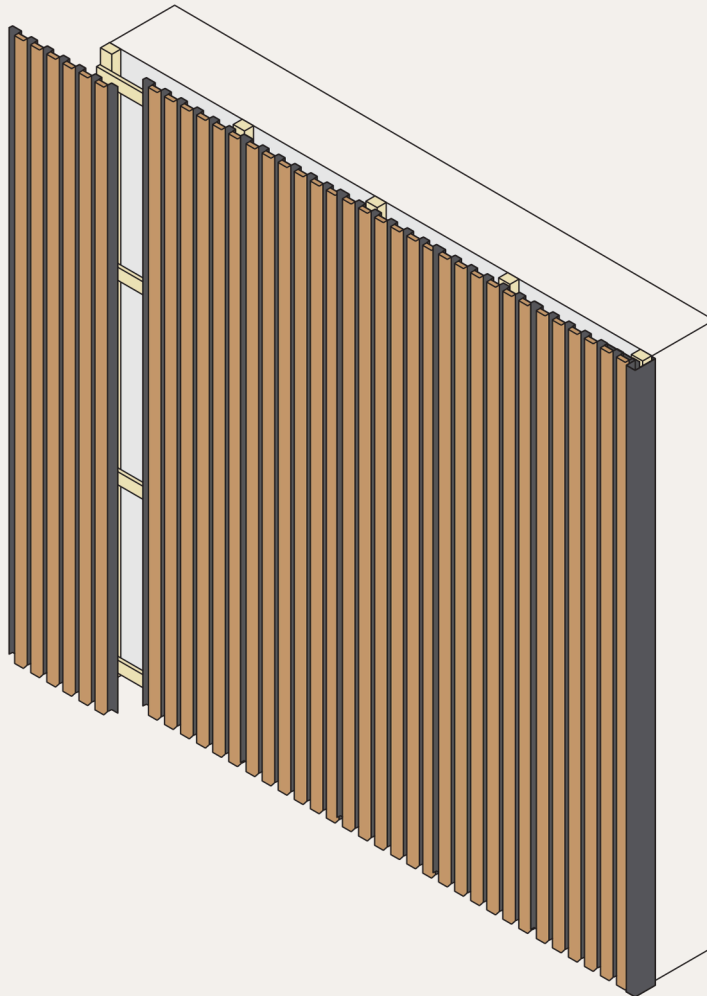




- Position the panel and check for plumbness using a level.
- Make sure screws are aligned with rear battens.
- Secure the panel to the battens with the mounting screws, leaving out screws along edge where adjacent panel will overlap.
- Do not overtighten screws – Keep screws straight and tighten just enough to seal the rubber washer.
- Install adjacent panels by overlapping the previously installed panel and checking vertical alignment frequently for perpendicularity.

Step 3: Finishing

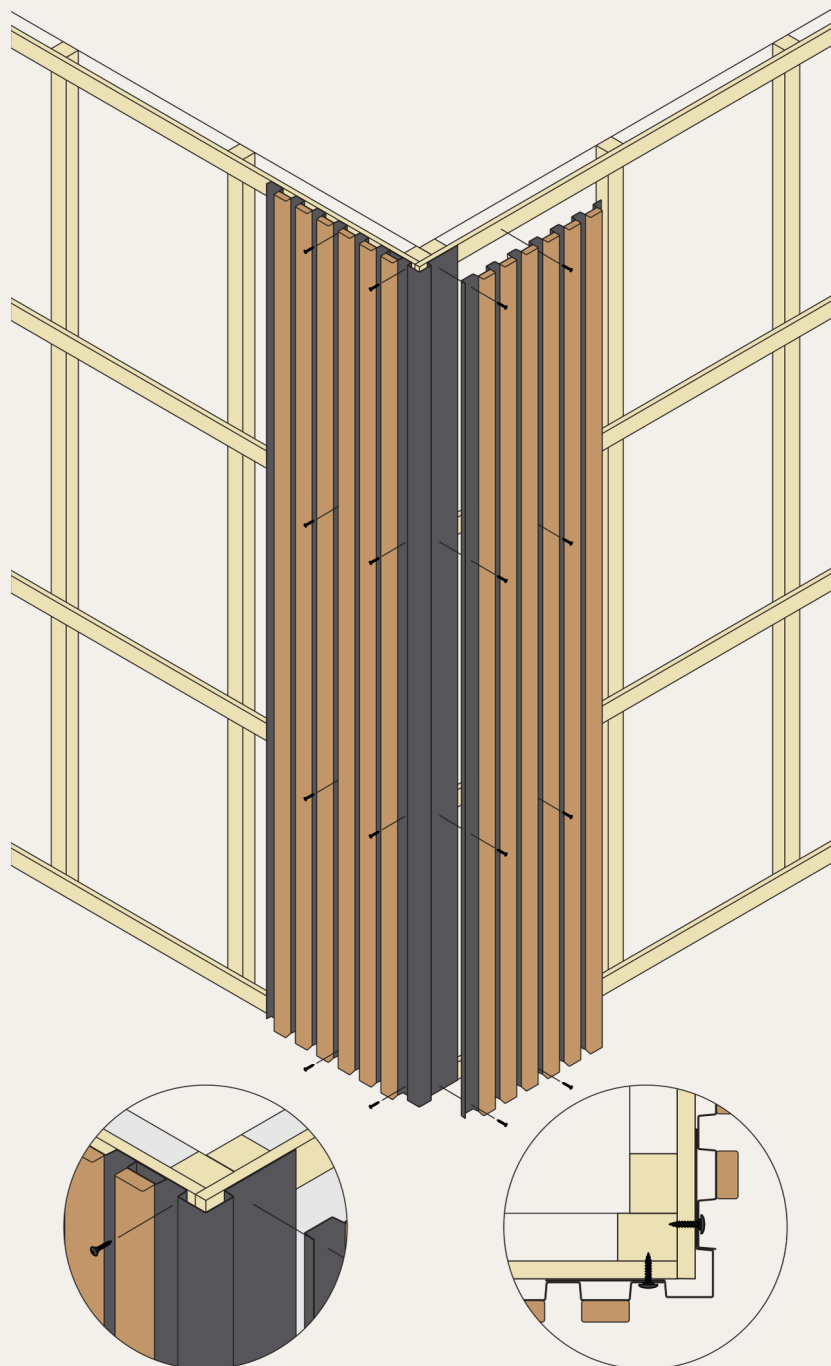
- Inspect all attachment points and proper panel overlapping.



Example!

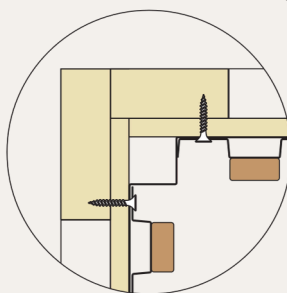
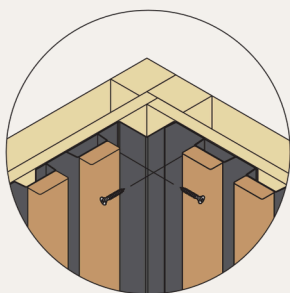
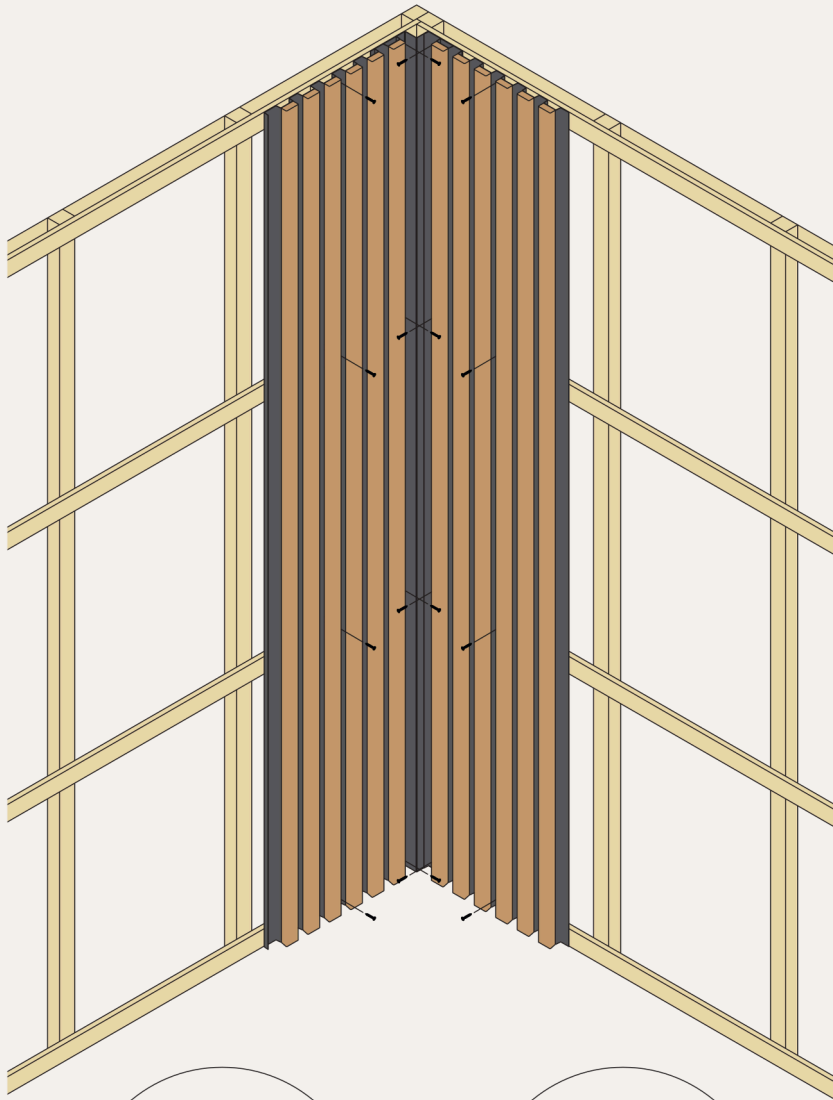
Installation application details

Option 1: Outside corner:



Installation application details

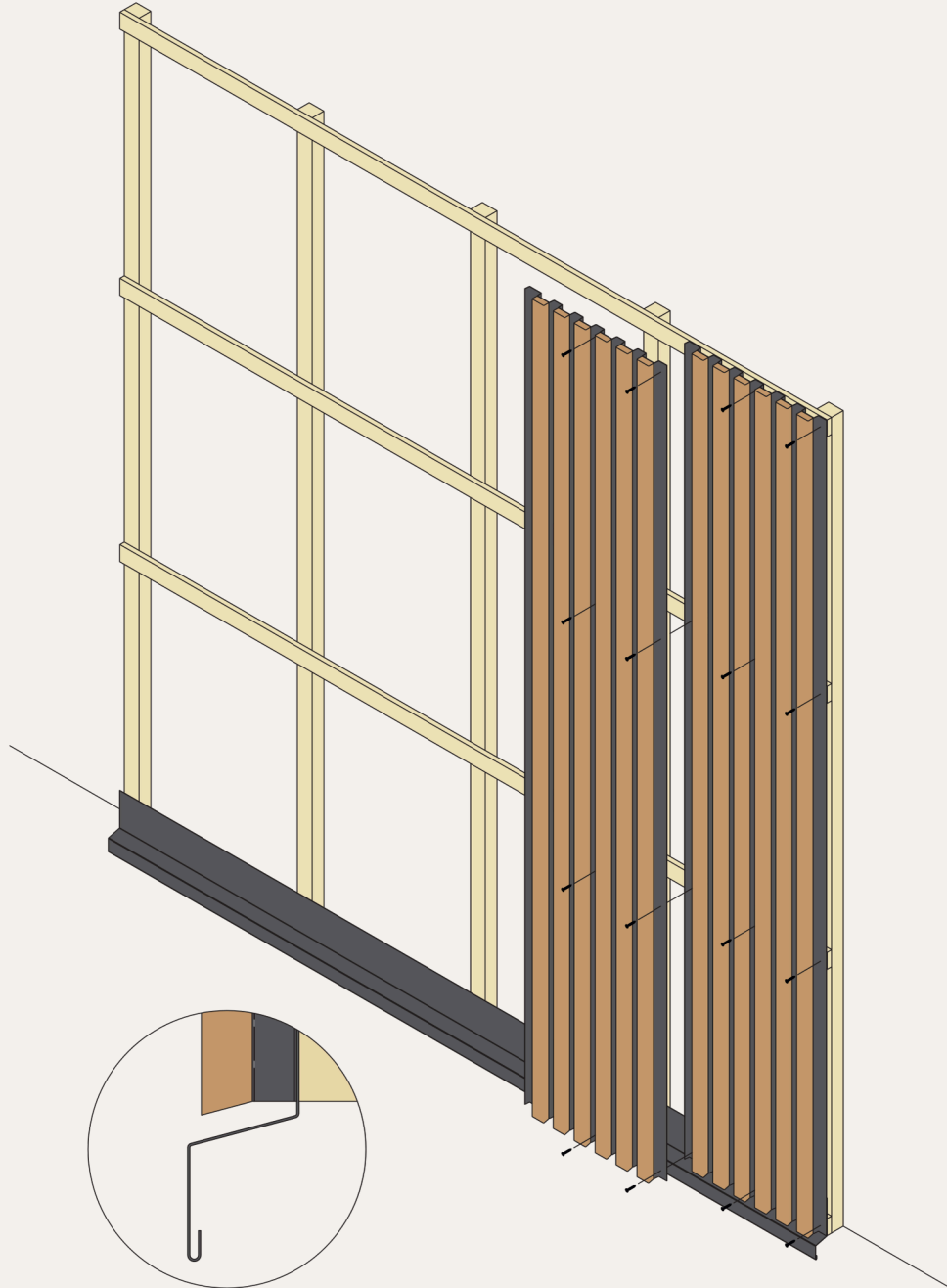
Option 2: Inside corner:



This piece can also be used to join a wall and ceiling.

Installation application details

Option 3a: Bottom trim / divider:

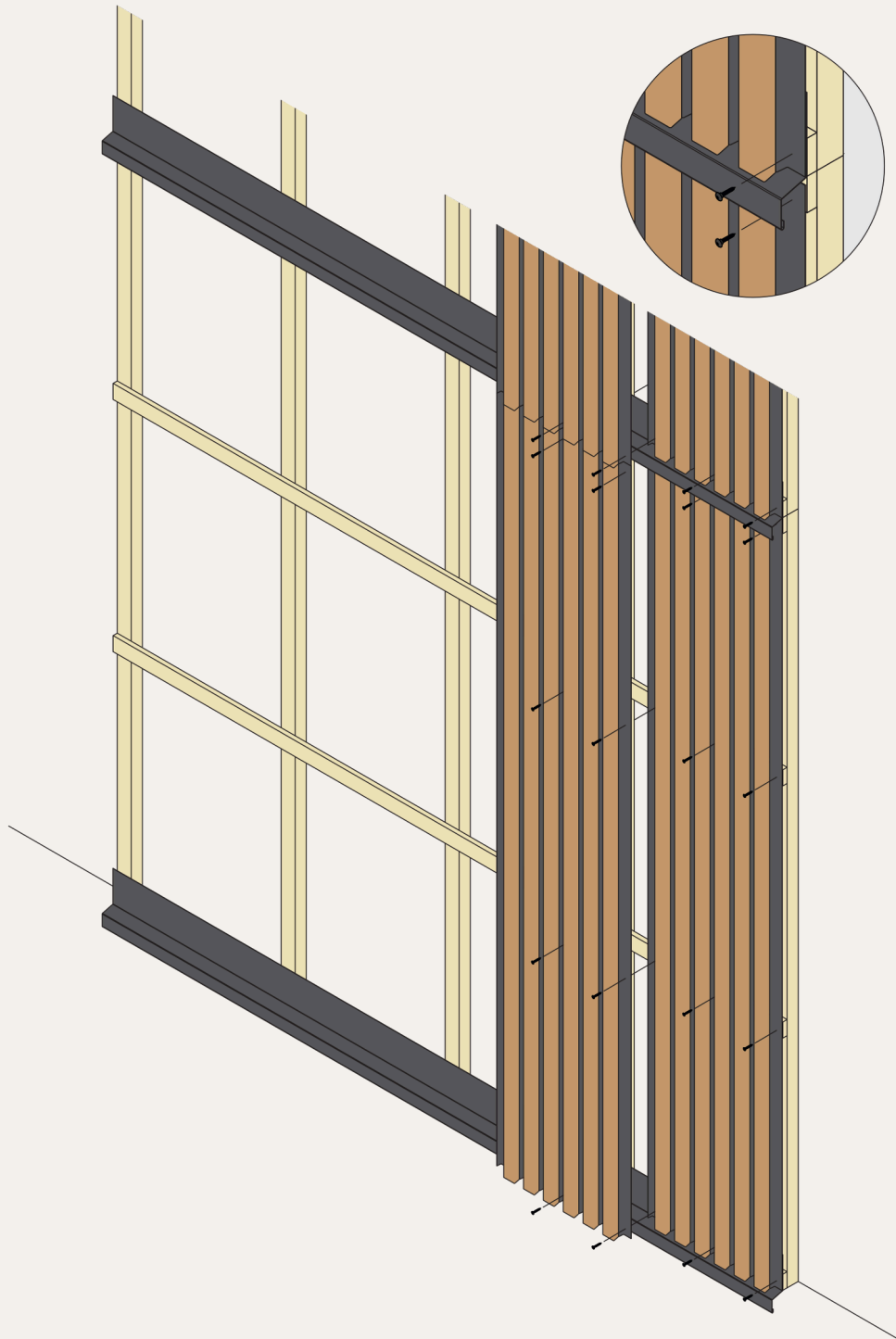


TIP

It is preferable to leave a space under the bottom water drip to facilitate water drainage and prevent stagnation between the wall and the bottom. The bottom piece can also provide strategic extra centimeters. The panels can be installed up to 7 cm above the water drainage flap

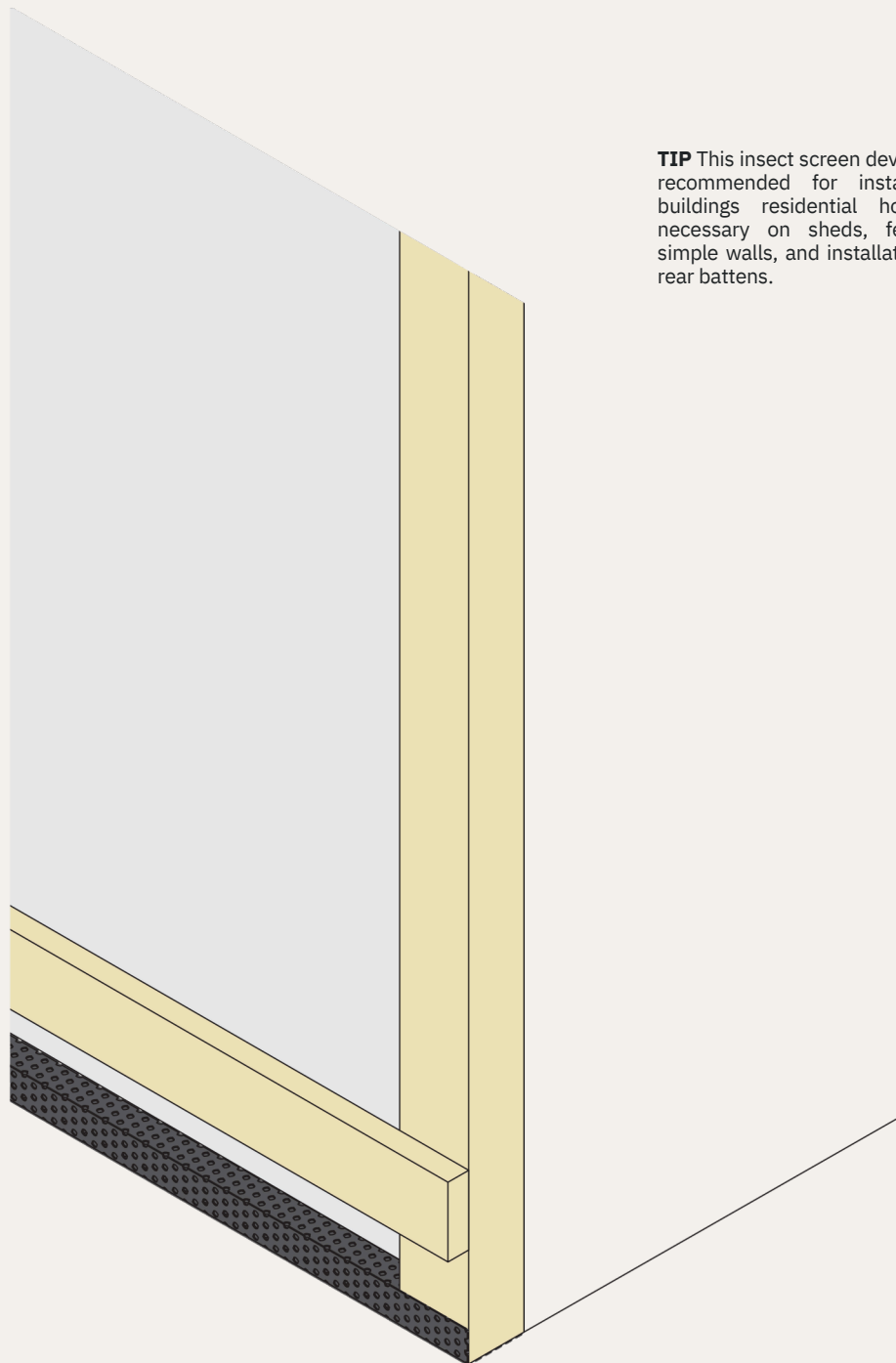
Installation application details

Option 3b: Divider trim / bottom:



Installation application details

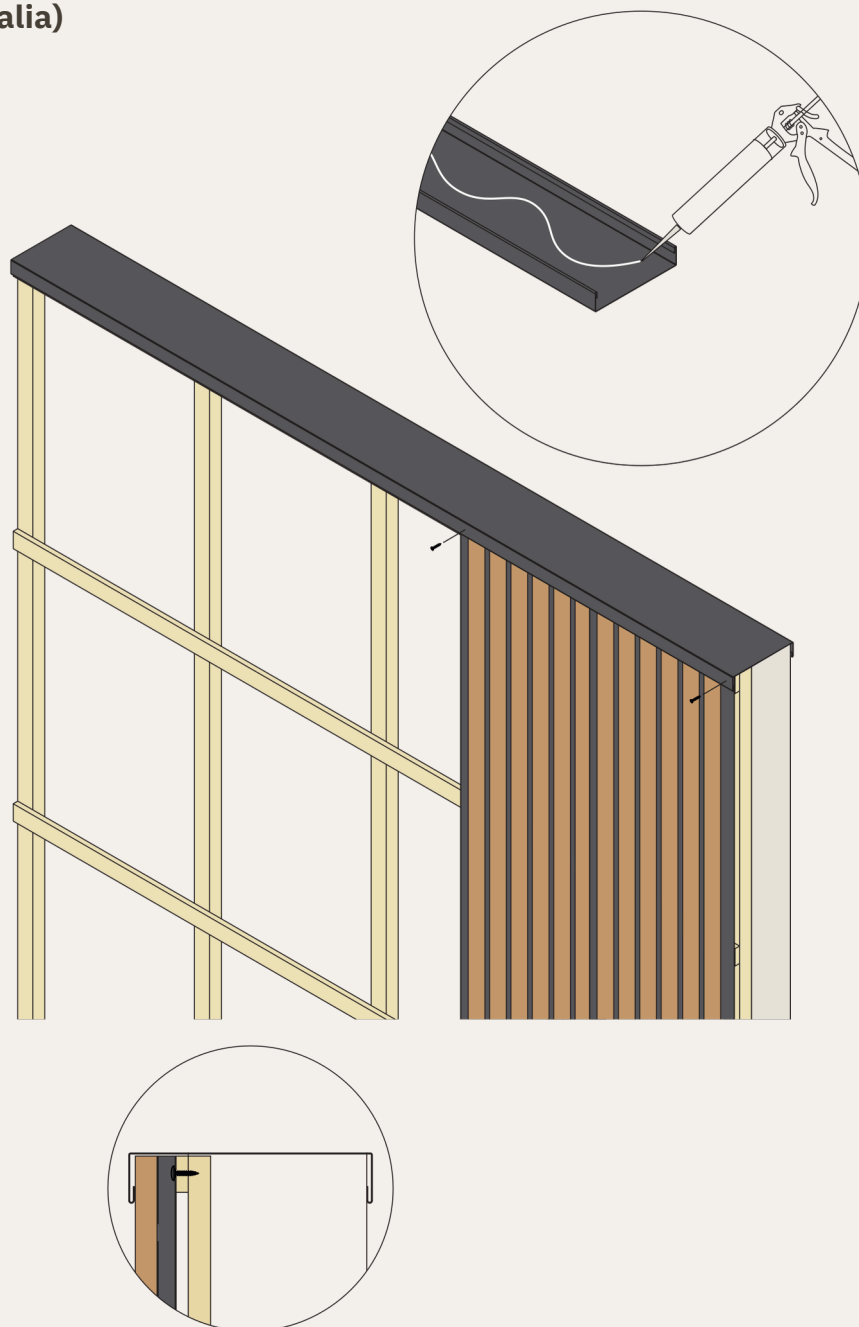
Option 4: Insect screen: (Currently not available in Australia)



TIP This insect screen device is highly recommended for installation on buildings residential houses. Not necessary on sheds, fences, and simple walls, and installation without rear battens.

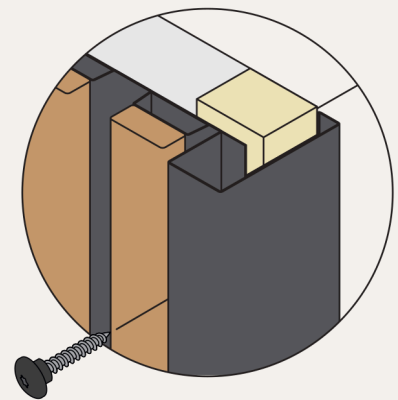
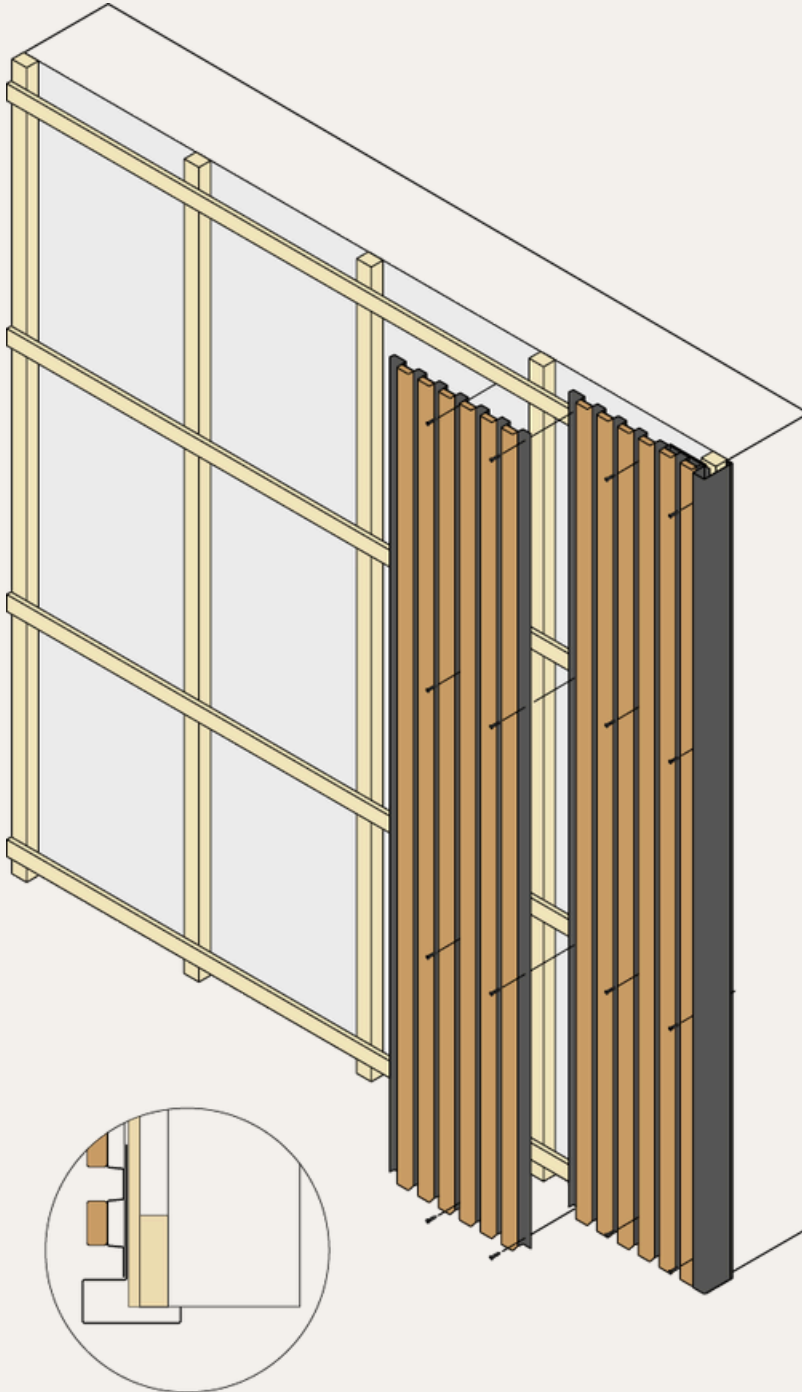
Installation application details

Option 5: Wall crown: (Currently not available in Australia)



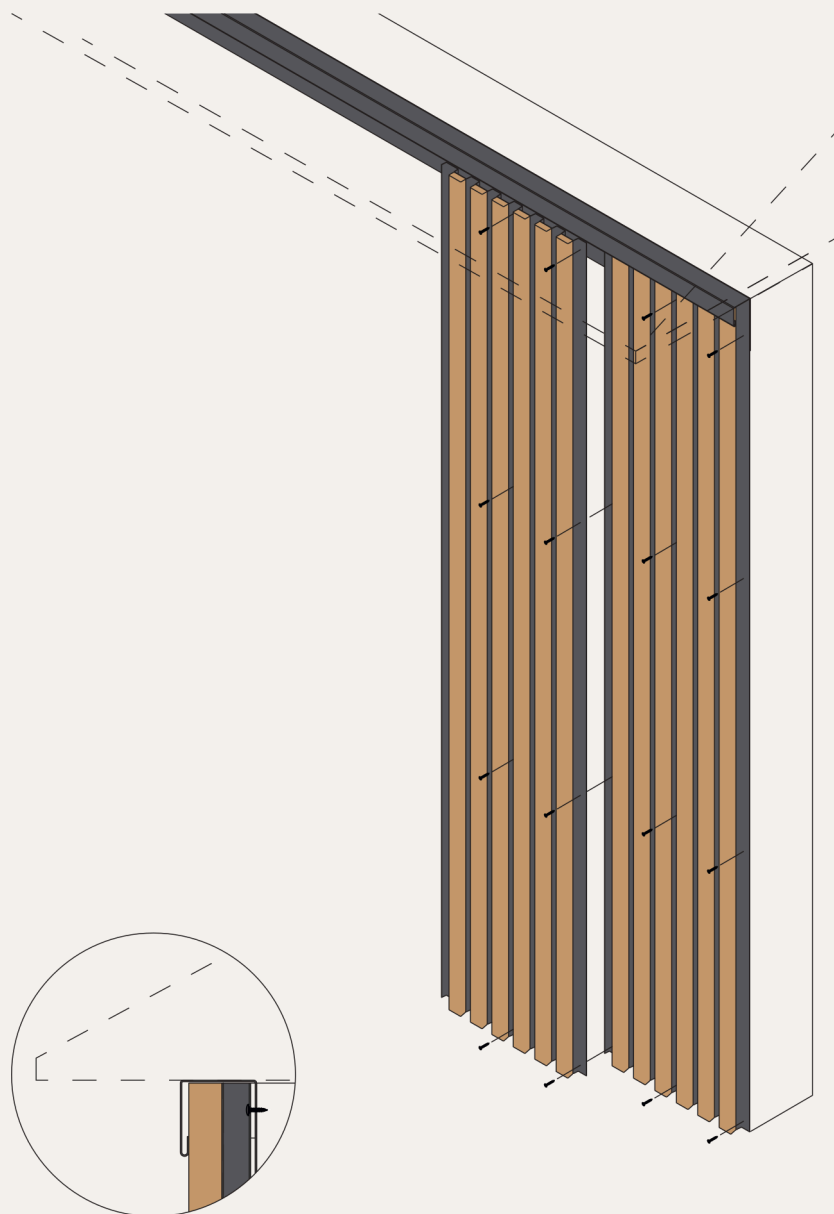
Installation application details

Option 6: End profile with rear battens:(Currently not available in Australia)



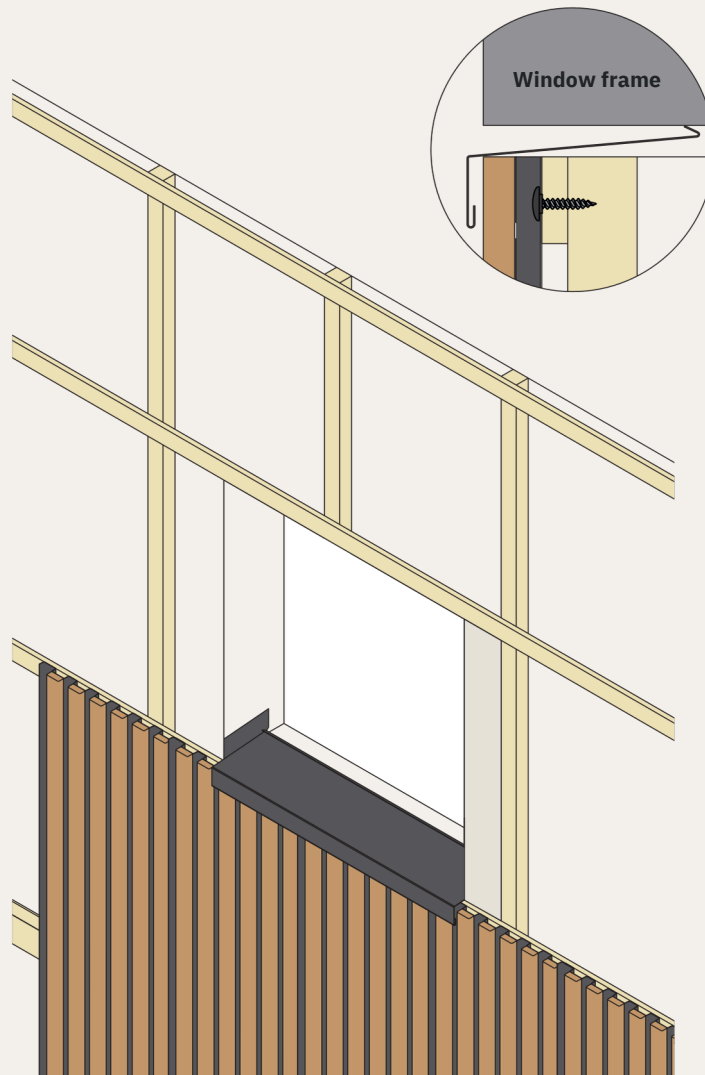
Installation application details

Option 7: Top profile (installation without rear battens):



Installation application details

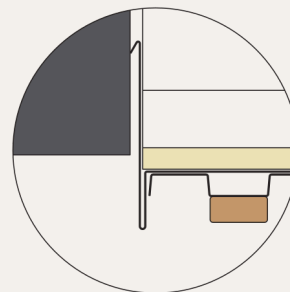
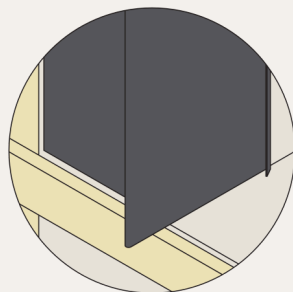
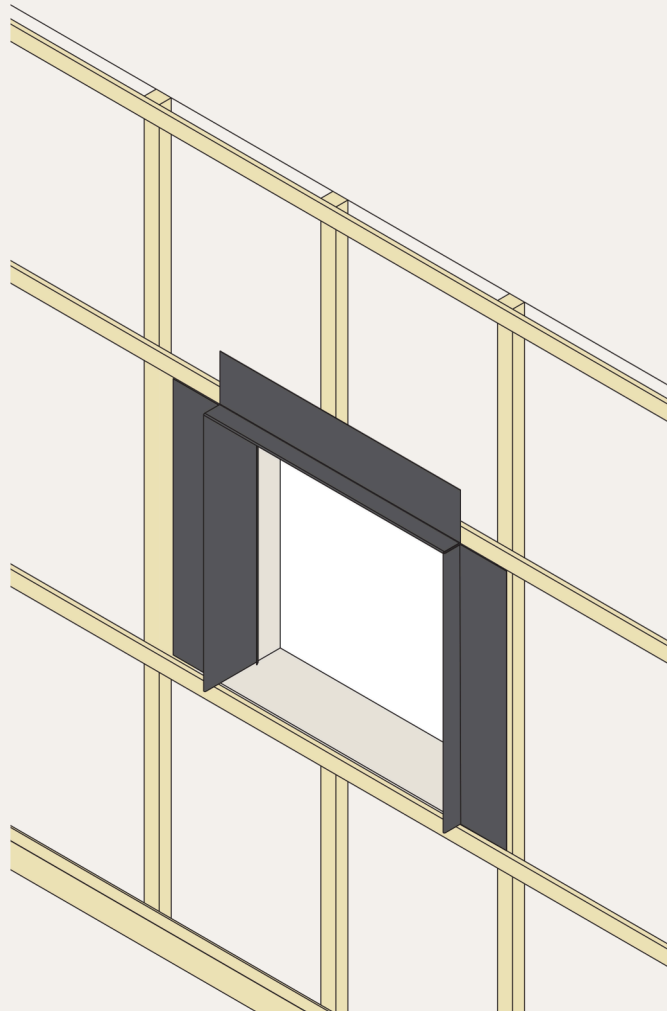
Option 8a: Window:
Window sill: (Currently not available in Australia)



TIP Cut and bend coverage to fit window hole.

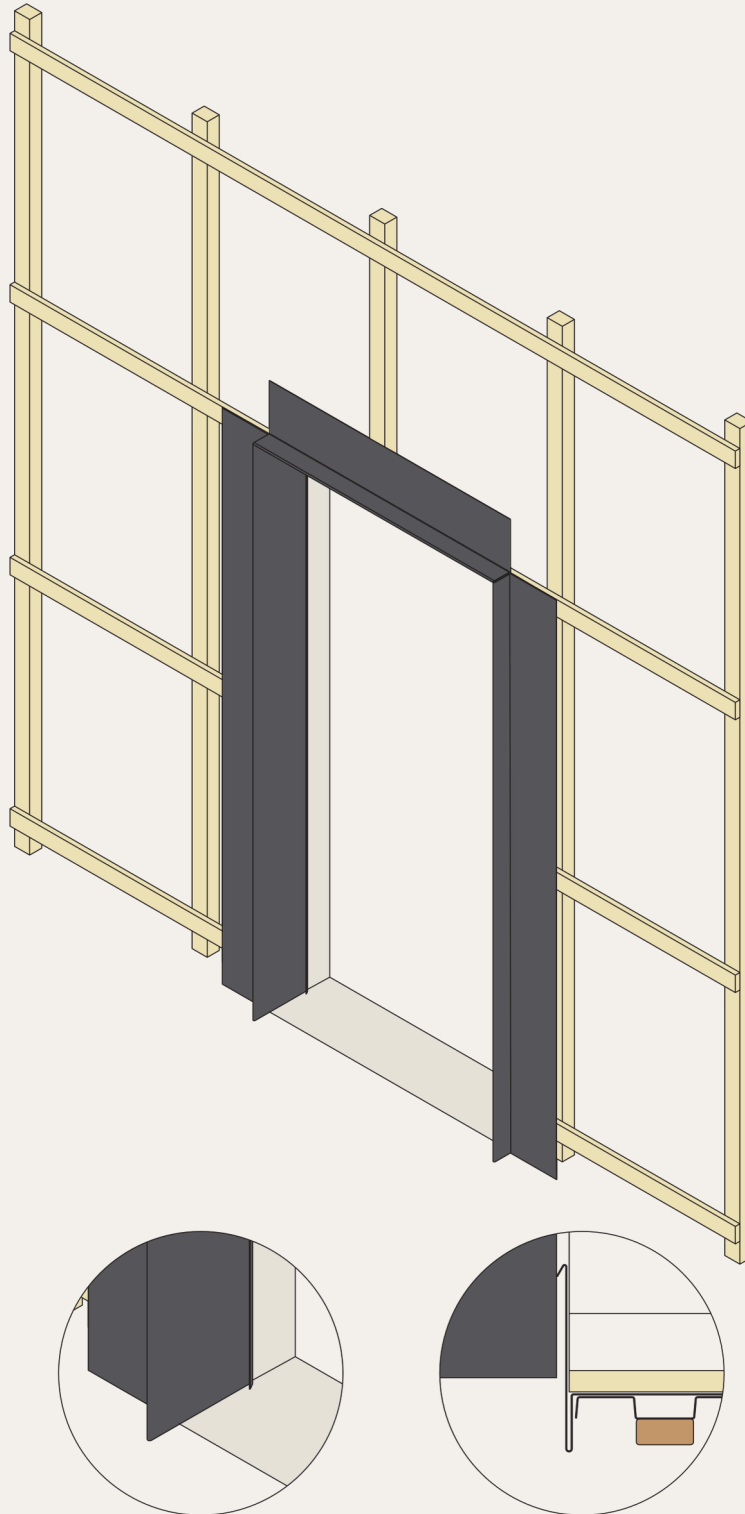
Installation application details

Option 8b: Window:
Window coverage:



Installation application details

Option 9: Door coverage:





WOOD  UPP

WoodUpp Group

1/7 McPhail Road Coomera, QLD 4209

Phone: 1300 966 387

E-mail: info@woodupp.au

woodupp.au